

S16

4K Live Production Switcher



Specifications

Change History

Document Version	Release Date	Description
V1.0.0	2025-08-15	First release

Introduction

The S16 is a high-performance 4K live production switcher developed by PIXELHUE, designed to meet the needs of professional broadcasting and multimedia productions. Featuring 4K input and output capabilities, it receives and transmits ultra-high-definition videos, ensuring premium visual effects in various events. It supports UHD, FHD, and custom resolution options, offering flexible resolution adaptation capability. More importantly, it boasts industry-leading layer resource configuration, including 1 BKGD, 4 upstream keyers, 2 downstream keyers, and 1 SuperSource, offering unlimited possibilities for creative live productions.

The S16 is equipped with a 10.25-inch LCD display, providing professional Multiviewer function, and comes with an industrial-grade control joystick, making on-site adjustments and operations more intuitive and precise. Its versatile live streaming module supports major streaming platforms globally, offers simultaneous 4-channel RTMP streaming, and provides 1080p@60Hz UVC output capability, meeting high-standard live streaming and online editing requirements. What's more, the S16 includes MIX, DIP, and WIPE transition effects, adding professional-quality visual effects to your streaming and recording.

With its high performance, flexibility, and innovative design, the S16 provides powerful and professional support for various live productions in corporate and commercial events, entertainment and cultural activities, sports events, community and religious gatherings, education and training, e-sports and game streaming, as well as personal and small studio productions.

Certifications

TBD

If the product does not have the relevant certifications required by the countries or regions where it is to be sold, please contact PIXELHUE to confirm or address the problem. Otherwise, the customer shall be responsible for the legal risks caused or PIXELHUE has the right to claim compensation.

Features

Display and Control

- 10.25-inch LCD screen
 - Professional Multiviewer function ensures thorough on-site adjustments before events and makes everything under control during production.
 - Independent LCD control greatly facilitates and simplifies on-site operations.
- Industrial-grade joystick
 - Compatible with external PTZ cameras, offering multifunctionality and cost efficiency.
 - High-precision industrial-grade joystick ensures accurate adjustments of keyer position and size.
- Diverse control options
 - Equipped with 95 buttons, 13 encoders, and 1 T-bar, providing extensive operation options.
 - Combines buttons, encoders, T-bar, joystick, and LCD menu for a flexible, convenient, and precise operation experience.
 - Smart button reuse mechanism expands the actual number of operable buttons to 200+, significantly enhances operational efficiency.

Input and Output

- 16x 12G-SDI + 4x HDMI 2.0 inputs

Supports up to 16 channels of UHD video signal inputs to meet large-scale production requirements.
- Main outputs: 2 groups of HDMI 2.0 / 12G-SDI
 - HDMI 2.0 and 12G-SDI within the same group output the identical content.
 - Supports selecting the output content for each group.
- MVR outputs: 1x HDMI 2.0 + 1x 12G-SDI

Supports copy and independent modes.
- AUX outputs: 8x 12G-SDI + 4x HDMI 2.0

Supports output of input sources, PVW, PGM, Multiviewer, and Clean Feed.
- 1x USB 3.0 (Type-C)

Supports selecting streaming resolution, up to a maximum of 1080p@60Hz.
- Various audio connectors
 - 2x XLR/TRS audio input connectors
 - 2x XLR audio output connectors
 - 1x 6.35mm TRS (stereo) monitoring output connector, suitable for headphone monitoring
 - 2x Dante connectors (mutual backups) for digital audio input and output

Delivers multiple audio connection options along with mixing features to satisfy professional audio processing requirements.

Keyer and Transition

- Powerful keyer adjustment features
Offers a wide range of keyer editing functions, such as position and size adjustments, cropping, keying, mask, borders, shadows, and color adjustments.
- Flexible keying options
Includes 1 main image + 4 upstream keyers + 2 downstream keyers.
- SuperSource
Provides professional multi-layer visual effects processing, allowing the combination of multiple input sources into a single input source, accommodating up to 1 background and 4 foreground images.
- Rich transition effects
Offers a variety of video transition effects, including MIX, DIP, and WIPE.
- Convenient PTZ camera and keyer control
Operate PTZ cameras (ONVIF protocol) with an 8-direction joystick for precise adjustments of camera images and keyers.

Function and Operation

- End-to-end 4K compatibility
Accommodates signals at 4K and lower resolutions, ensuring image clarity.
- Flexible resolution adjustment
Supports switching between UHD, FHD, and custom resolutions.
- Multi-platform RTMP live streaming
Supports streaming up to 4 RTMP streams simultaneously to major global live streaming platforms.
- One-click recording
Allows recorded content to be directly stored on an external hard drive or USB drive.
- Network Tally
Sends Tally signals to monitors or cameras, displaying the live status of signal sources on these devices for quick identification of which sources are currently on air.
- Audio control
Provides professional audio processing features, including precise volume adjustment (gain and level) and mixing control to ensure optimal sound quality.
- Flexible preset and saving and recall
 - Supports saving up to 20 presets, including keyer and audio parameters.
 - Allows users to customize keyer properties and save these personalized settings as presets.
 - Enables quick switching between different presets to adapt to changing program content or layout, meeting diverse program needs.
- Genlock support
Allows precise synchronization of video signals with other equipment.

Rear Panel



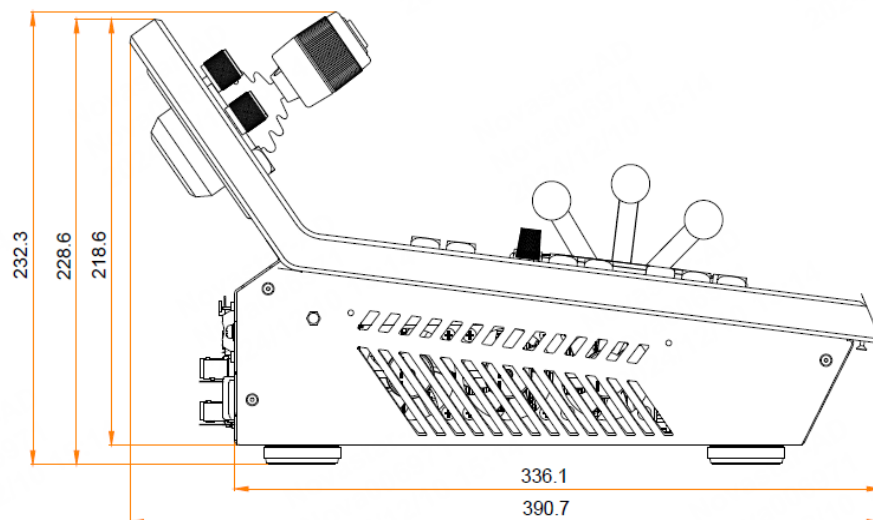
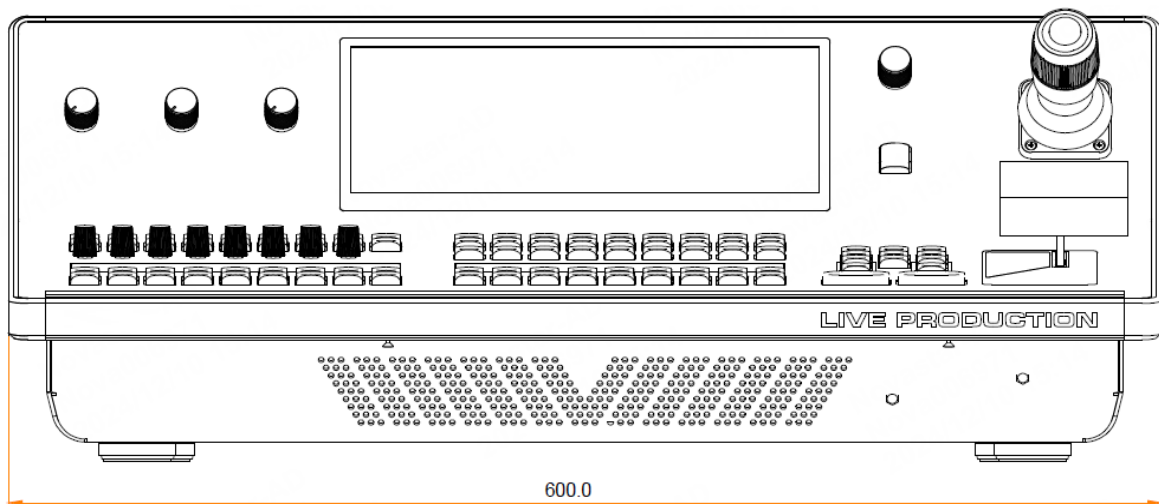
Area	Connector	Qty.	Description
INPUT (HDMI 2.0-12G SDI)	HDMI 2.0	4	<ul style="list-style-type: none"> Each supports up to 4Kx2K@60Hz 8-bit 4:4:4 inputs. Support 8-bit, 10-bit, 12-bit input processing. Support 4:4:4, 4:2:2, 4:2:0 format inputs. Support EDID settings. Support full and limited color ranges. Support HDCP 2.2, downward compatible. Support deinterlacing processing. Support embedded audio (24-bit/48 kHz, dual channel). Support custom resolutions. <ul style="list-style-type: none"> Max width: 4096 pixels Max height: 4096 pixels Can be selected alternatively with 12G-SDI input 7, 8, 15, 16.
	12G-SDI	16	<ul style="list-style-type: none"> Each supports up to 4Kx2K@60Hz 10-bit 4:2:2 inputs. Support ST-2081 (6G), ST-2082 (12G), ST-424 (3G), and ST-292 (HD) inputs. Compatible with HD-SDI, 3G-SDI and 6G-SDI Support YCbCr color space settings. Support interlaced inputs. Support embedded audio (24-bit/48 kHz, dual channel).
OUTPUT (HDMI 2.0-12G SDI)	HDMI 2.0	2	<ul style="list-style-type: none"> Each supports up to 4Kx2K@60Hz 8-bit 4:4:4 outputs. Support 8-bit, 10-bit output processing. Support 4:4:4 and 4:2:2 format outputs. Support YCbCr and RGB color space settings. Support interlaced outputs. Support embedded audio (24-bit/48 kHz, dual channel). Support custom resolutions. <ul style="list-style-type: none"> Max width: 4096 pixels Max height: 4096 pixels

Area	Connector	Qty.	Description
	12G-SDI	2	<ul style="list-style-type: none"> • Compatible with HD-SDI, 3G-SDI and 6G-SDI • Support interlaced outputs. • Copy the output content from 2x HDMI 2.0. • Support embedded audio (24-bit/48 kHz, dual channel).
MVR (HDMI 2.0-12G SDI)	HDMI 2.0	1	<ul style="list-style-type: none"> • Support up to 4K×2K@60Hz 8-bit 4:4:4 outputs. • Support separate timing configuration. When the timing matches the main output 1 timing, output via AUX is supported.
	12G-SDI	1	
AUX (HDMI 2.0-12G SDI)	HDMI 2.0	4	<ul style="list-style-type: none"> • Support up to 4K×2K@60Hz 8-bit 4:4:4 outputs. • Support output of input sources, PVW, PGM, Multiviewer, and Clean Feed. • Support embedded audio (24-bit/48 kHz, dual channel).
	12G-SDI	8	
CONTROL	USB 3.0 (Type-C)	2	<ul style="list-style-type: none"> • USB 3.0 (TYPE-C) 1 Connect to devices like USB drives for storage, firmware update, and log export. • USB 3.0 (TYPE-C) 2 <ul style="list-style-type: none"> – Supports selecting streaming output resolution, up to 1080p@60Hz. – Connect to devices like USB drives for storage, firmware update, and log export.
	LTC (reserved)	2	1x LTC IN, 1x LTC OUT <ul style="list-style-type: none"> • IN: Connect to external devices with LTC format time code. • OUT: LTC time code output
	GENLOCK	2	1x GENLOCK IN, 1x GENLOCK OUT Support Bi-Level and Tri-Level. <ul style="list-style-type: none"> • IN: Receive the Genlock signal. • OUT: Loop through the Genlock signal. Genlock signal supports frame rate range from 23.98 Hz to 60 Hz.
	ETHERNET	2	2x Gigabit Ethernet ports <ul style="list-style-type: none"> • Support network Tally. • Support PTZ control. • Connect to the control PC software (reserved)
AUDIO	XLR/TRS (IN)	2	2x Audio input connectors <ul style="list-style-type: none"> • XLR: Mono • TRS: Stereo
	XLR (OUT)	2	2x Audio output connectors Mono, defaulting to output the left and right channels of PGM audio
	PHONES OUT	1	1x 6.35 mm TRS (stereo) monitoring output connector Used for monitoring or transmitting unbalanced stereo audio signals
	Dante	2	2x Digital network audio connectors for input and output <ul style="list-style-type: none"> • RJ45 connector • Support network audio input and output. • Support 64x64 channel audio routing capability.

Area	Connector	Qty.	Description
LIGHT	-	1	Connect to a gooseneck light.
Power	100-240V~, 50/60Hz	1	AC power input

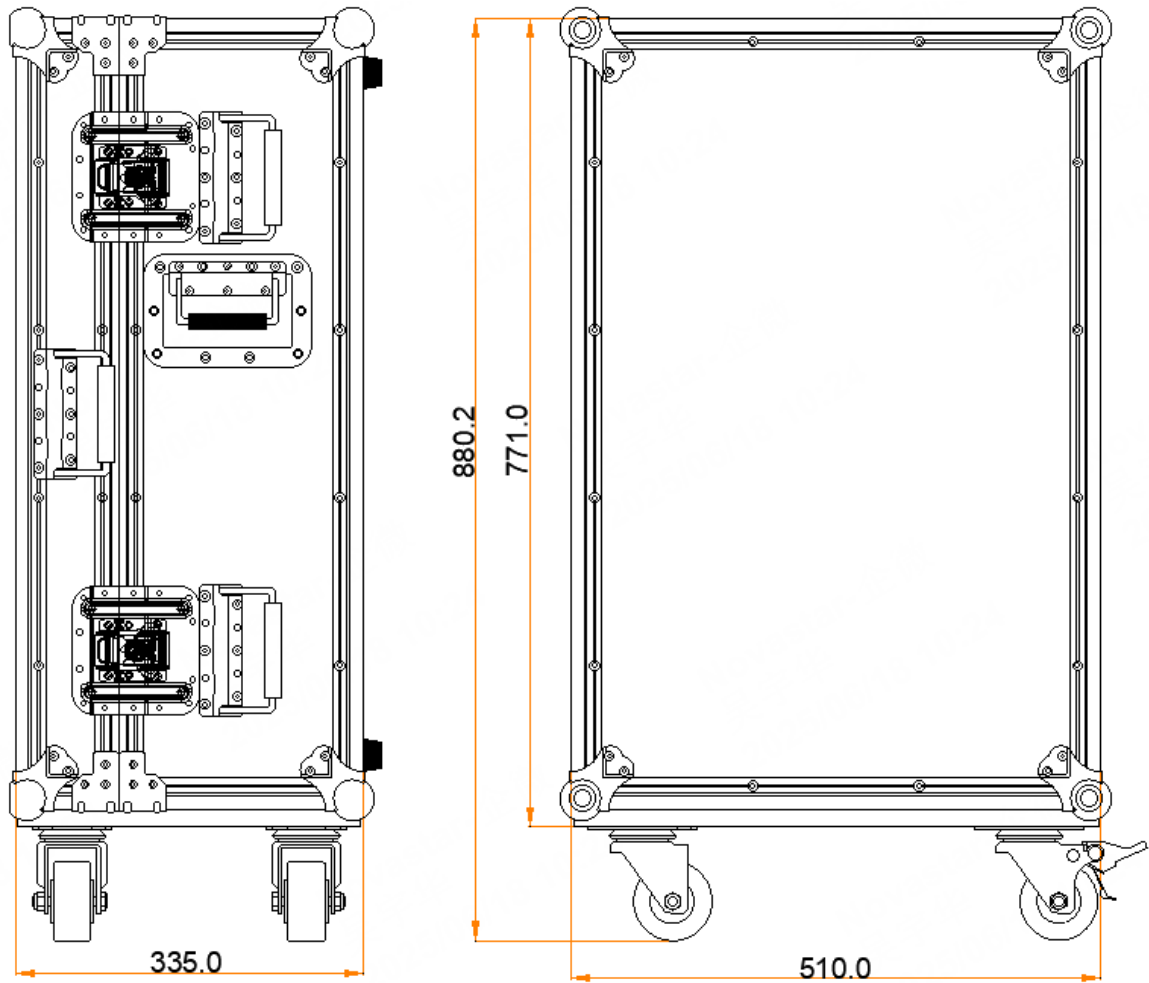
Dimensions

Device



Tolerance: ± 0.5 Unit: mm

Flight Case

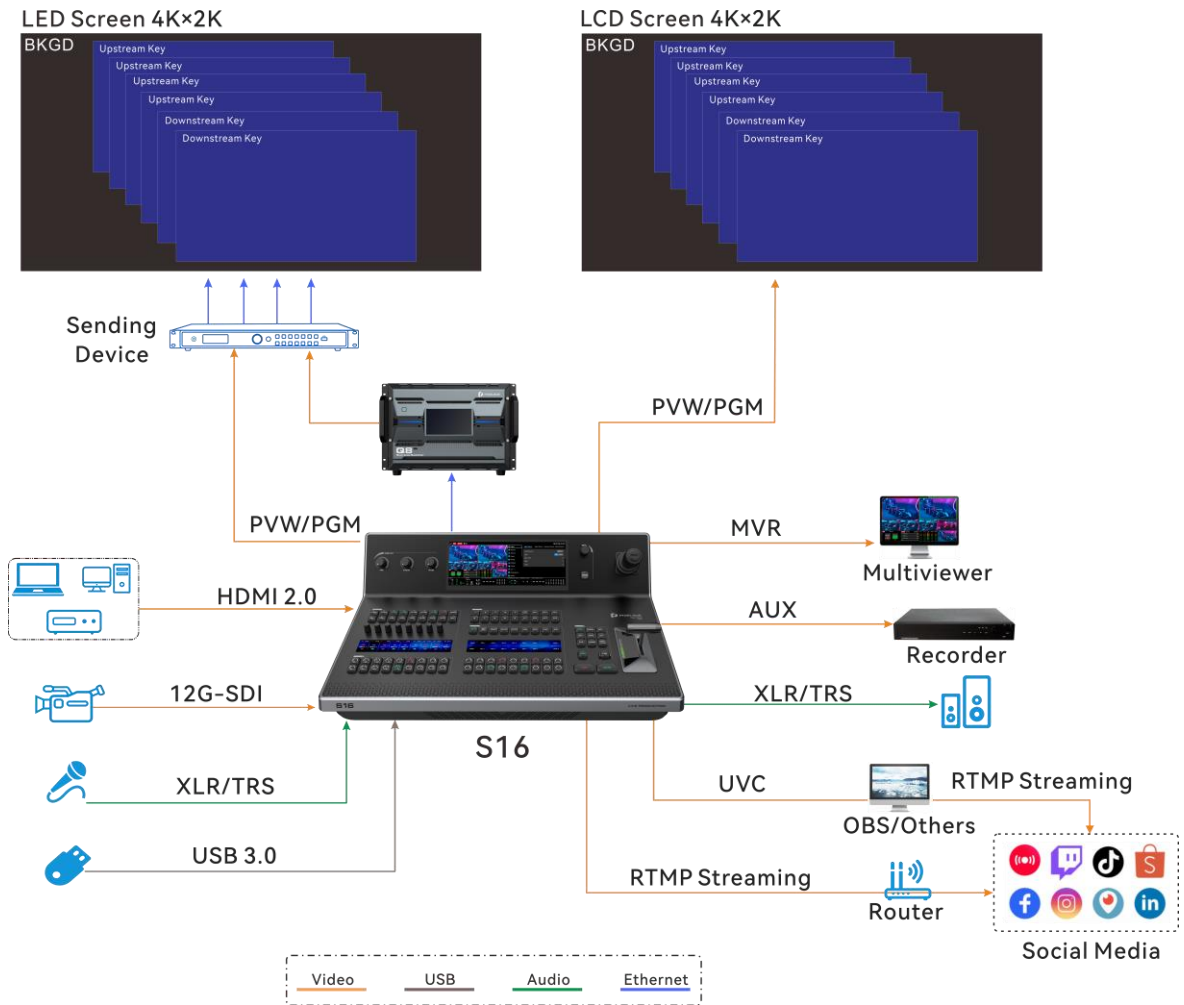


Tolerance: ± 5 Unit: mm

Note

For detailed drawings of the flight case dimensions, please contact PIXELHUE technical support.

Applications



Specifications

Electrical Specifications	Power connector	100–240V~, 10A, 50/60Hz
	Max consumption	175 W
Operating Environment	Temperature	0°C to +40°C
	Humidity	5%RH to 85%RH, non-condensing
Storage Environment	Temperature	–20°C to +70°C
	Humidity	5%RH to 95%RH, non-condensing
Physical Specifications	Dimensions	600.0 mm × 390.7 mm × 232.3 mm
	Net weight	13.0 kg
	Gross weight	17.5 kg
Packing Information	Paper box (standard)	720.0 mm × 515.0 mm × 340.0 mm
	Flight case (optional)	880.2 mm × 510.0 mm × 335.0 mm
	Accessories	1x Power cable 1x HDMI cable 1x Cat5e cable 1x Gooseneck light 1x Quick Start Guide 1x Safety Manual 1x Certificate of Approval 1x Customer Letter
Noise Level (typical at 25°C/77°F)		40 dB (A)

Copyright

Copyright © 2025 Pixelhue Technology Ltd. All Rights Reserved.

No part of this document may be copied, reproduced, extracted or transmitted in any form or by any means without the prior written consent of Pixelhue Technology Ltd (hereinafter referred to as PIXELHUE).

Trademarks

 **PIXELHUE** is a trademark of Pixelhue Technology Ltd.

Brand and product names mentioned in this manual may be trademarks, registered trademarks or copyrights of their respective holders.

Statement

Thank you for choosing PIXELHUE products. This document is intended to help you understand and use the products. PIXELHUE may make improvements and/or changes to this document at any time and without prior notice. If you experience any problems in use or have any suggestions, please contact us via the contact information given in this document. We will do our best to solve any issues, as well as evaluate and implement any suggestions.

This document could contain technical inaccuracies or typographical errors. Changes are periodically made to the information in this document; these changes are incorporated in new editions of this document.

The latest edition of user manuals can be downloaded from the PIXELHUE website www.pixelhue.com.

| [Official website](http://www.pixelhue.com)
| www.pixelhue.com

| [Technical support](mailto:service@pixelhue.com)
| service@pixelhue.com